

STANDBY GENERATORS

12 kW

AIR-COOLED GENERATOR SETS

Standby Power Rating

Model 006054-0 - 12 kW 60Hz



INCLUDES

- 100 Amp, NEMA 3R Honeywell Sync Smart Switch
- PrecisionPower™ Electrical Technology
- Two Line LCD Tri-lingual Digital Sync Controller
- Electronic Governor
- External Main Circuit Breaker & System Status LED Indicators
- Flexible Fuel Line Connector
- Composite Mounting Pad
- Galvaneal Steel Enclosure
- Natural Gas or LP Gas Operation
- 3 Year Limited Warranty
- UL 2200 Listed

FEATURES

- **INNOVATIVE DESIGN & PROTOTYPE TESTING** are key components of our success in “IMPROVING POWER BY DESIGN.” But it doesn’t stop there. Total commitment to component testing, reliability testing, environmental testing, destruction and life testing, plus testing to applicable CSA, NEMA, EGSA, and other standards, allows you to choose Honeywell generators with the confidence that these systems will provide superior performance.
- **TEST CRITERIA**
 - ◆ PROTOTYPE TESTED
 - ◆ SYSTEM TORSIONAL TESTED
 - ◆ NEMA MG1-22 EVALUATION
 - ◆ MOTOR STARTING ABILITY
- **PrecisionPower™ ELECTRICAL TECHNOLOGY** Superior harmonics and sine wave form produce less than 5% Total Harmonic Distortion for utility quality power. This allows confident operation of sensitive electronic equipment and micro-chip based appliances, such as variable speed HVAC.
- **SOLID-STATE, FREQUENCY COMPENSATED VOLTAGE REGULATION** This state-of-the-art power maximizing regulation system is standard on all Honeywell models. It provides optimized FAST RESPONSE to changing load conditions and MAXIMUM MOTOR STARTING CAPABILITY by electronically torque-matching the surge loads to the engine. An unequalled ±1% voltage regulation.
- **SINGLE SOURCE SERVICE RESPONSE** from our extensive dealer network provides parts and service know-how for the entire unit, from the engine to the smallest electronic component.
- **Honeywell TRANSFER SWITCHES** The Honeywell generator line offers its own transfer systems and controls for total system compatibility.

12 kW

AIR-COOLED GENERATOR SETS

ENGINE

<ul style="list-style-type: none">• Generac OHVI® Design• "Spiny-lok" cast iron cylinder walls• Electronic ignition/spark advance• Full pressure lubrication system• Low oil pressure shutdown system• High temperature shutdown	<p>Maximizes engine "breathing" for increased fuel efficiency. Plateau honed cylinder walls and plasma moly rings help engine run cooler, reducing oil consumption. Because heat is the primary cause of engine wear, the OHVI has a significantly longer life than competitive engines.</p> <p>Rigid construction and added durability provide long engine life.</p> <p>These features combine to assure smooth, quick starting every time.</p> <p>Superior lubrication to all vital bearings means better performance, less maintenance and significantly longer engine life. Now featuring a 2 year/200 hour oil change interval.</p> <p>Superior shutdown protection prevents catastrophic engine damage due to low oil.</p> <p>Prevents damage due to overheating.</p>
---	---

GENERATOR

<ul style="list-style-type: none">• Revolving field• Skewed stator• Displaced phase excitation• Automatic voltage regulation• UL 2200 Listed	<p>Allows for smaller, light weight unit that operates 25% more efficiently than a revolving armature generator.</p> <p>Produces a smooth output waveform for compatibility with electronic equipment.</p> <p>Maximizes motor starting capability.</p> <p>Regulates the output voltage to $\pm 1\%$ prevents damaging voltage spikes.</p> <p>For your safety</p>
--	---

TRANSFER SWITCH

<ul style="list-style-type: none">• 100 Amp, Honeywell Sync Smart Switch	<p>Allows management of two air-conditioners with no additional hardware.</p> <p>When utilized with up to four DLM's, a total of six loads can be managed.</p>
--	--

CONTROLS

<ul style="list-style-type: none">• Manual/Auto/Off switch• Utility voltage sensing• Generator voltage sensing• Utility interrupt delay• Engine warm-up• Engine cool-down• Programmable seven day exerciser• Smart battery charger• Main Line Circuit Breaker• Electronic governor	<p>Selects the operating mode.</p> <p>Constantly monitors utility voltage, setpoints 60% dropout, 80% pick-up, of standard voltage.</p> <p>Constantly monitors generator voltage to ensure the cleanest power delivered to the home.</p> <p>Prevents nuisance start-ups of the engine, adjustable 10-30 seconds.</p> <p>Ensures engine is ready to assume the load, setpoint approximately 5 seconds.</p> <p>Allows engine to cool prior to shutdown, setpoint approximately 1 minute.</p> <p>Operates engine to prevent oil seal drying and damage between power outages by running the generator for 12 minutes every week.</p> <p>Delivers charge to the battery only when needed at varying rates depending on outdoor air temperature.</p> <p>Protects generator from overload.</p> <p>Maintains constant 60 Hz frequency.</p>
---	---

UNIT

<ul style="list-style-type: none">• Galvaneal steel protective enclosure• Enclosed critical grade muffler• Small, compact, attractive	<p>Provides protection against mother nature. Hinged key locking roof panel for security. Lift-out front for easy access to all routine maintenance items. Electrostatically applied textured epoxy paint for added durability.</p> <p>Quiet, critical grade muffler is mounted inside the unit to prevent injuries.</p> <p>Makes for an easy, eye appealing installation.</p>
---	--

INSTALLATION SYSTEM

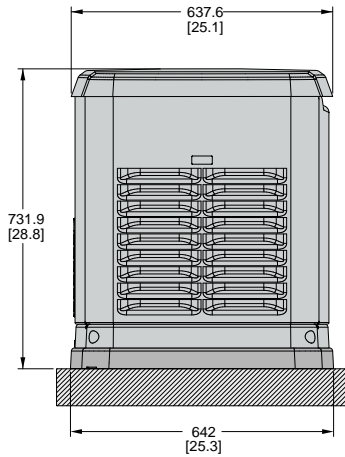
<ul style="list-style-type: none">• 1' Flexible Fuel Line Connector• Composite Mounting Pad	<p>Easy Installation</p>
--	--------------------------

GENERATOR		Model 006054-0 (12 kW)
Rated Maximum Continuous Power Capacity (LP)		12,000 Watts*
Rated Maximum Continuous Power Capacity (NG)		12,000 Watts*
Rated Voltage		240
Rated Maximum Continuous Load Current – 240 Volts		50 LP/50 NG
Total Harmonic Distortion		Less than 5%
Main Line Circuit Breaker		50 Amp
Phase		1
Number of Rotor Poles		2
Rated AC Frequency		60Hz
Power Factor		1
Battery Requirement (not included)		Group 26R 12 Volts and 525 Cold-cranking Amperes Minimum
Unit Weight (Pounds/Kilos)		421/191
Dimensions (L x W x H) Inches/mm		48 x 25 x 29 (1218 x 638 x 732)
Sound output in dB(A) at 23 ft. with generator operating at normal load		66

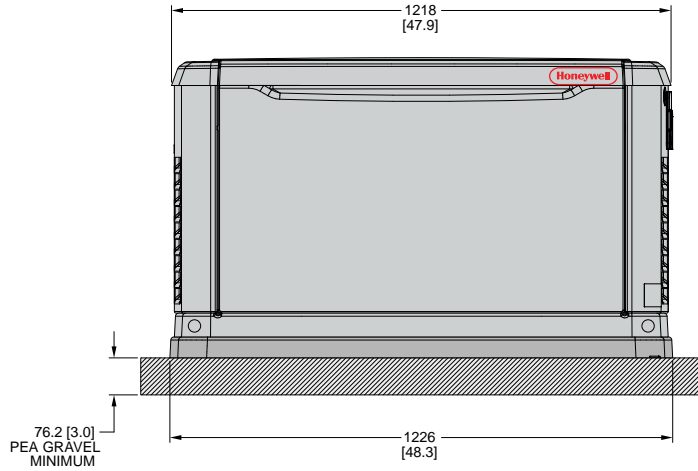
ENGINE		Model 006054-0 (12 kW)
Type of Engine		GENERAC OHVI V-TWIN
Number of Cylinders		2
Displacement		992cc
Cylinder Block		Aluminum w/Cast Iron Sleeve
Valve Arrangement		Overhead Valve
Ignition System		Solid-state w/Magneto
Governor System		Electronic
Compression Ratio		9.5:1
Starter		12 Vdc
Oil Capacity Including Filter		Approx. 1.9 Qts./1.8L
Operating RPM		3,600
Fuel Consumption		
Natural Gas	cu.ft./hr.	
	1/2 Load	
	Full Load	183
Liquid Propane	ft ³ /hr (gal/hr) [Liter/hr]	
	1/2 Load	59 (1.61) [6.09]
	Full Load	94 (2.57) [9.73]
Required fuel pressure to generator fuel inlet at all load ranges - 5 to 7 inches of water column for natural gas, 10 to 12 inches of water column for LP gas For Btu content, multiply ft ³ /hr x 2520 (LP) or ft ³ /hr x 1000 (NG)		

CONTROLS		
2-Line Plain Text LCD Display		Simple user interface for ease of operation
Mode Switch		
-Auto		Automatic Start on Utility failure. 7 day exerciser
-Off		Stops unit. Power is removed. Control and charger still operate.
-Manual/Test (start)		Start with starter control, unit stays on. If utility fails, transfer to load takes place.
Programmable start delay between 10-30 seconds		Standard
Engine Start Sequence		Cyclic cranking: 16 sec. on, 7 rest (90 sec. maximum duration)
Engine Warm-up		5 seconds
Engine Cool-Down		1 minute
Starter Lock-out		Starter cannot re-engage until 5 sec. after engine has stopped.
Smart Battery Charger		Standard
Automatic Voltage Regulation with Over and Under Voltage Protection		Standard
Automatic Low Oil Pressure Shutdown		Standard
Overspeed Shutdown		Standard, 72Hz
High Temperature Shutdown		Standard
Overcrank Protection		Standard
Safety Fused		Standard
Failure to Transfer Protection		Standard
Low Battery Protection		Standard
50 Event Run Log		Standard
Future Set Capable Exerciser		Standard
Incorrect Wiring Protection		Standard
Internal Fault Protection		Standard
Common External Fault Capability		Standard

Rating definitions - Standby: Applicable for supplying emergency power for the duration of the utility power outage. No overload capability is available for this rating. (All ratings in accordance with BS5514, ISO3046 and DIN6271). * Maximum wattage and current are subject to and limited by such factors as fuel Btu content, ambient temperature, altitude, engine power and condition, etc. Maximum power decreases about 3.5 percent for each 1,000 feet above sea level; and also will decrease about 1 percent for each 12° C (10° F) above 15.5° C (60°F).



LEFT SIDE VIEW



FRONT VIEW

Generac Power Systems, Inc.

S45 W29290 Hwy. 59

Waukesha, WI 53187

Tel: 1-855-GEN-INFO

honeywellgenerators.com

0191140SBY-A

January 2011

© Generac Power Systems, Inc. All rights reserved.
Specifications subject to change without notice.

The Honeywell Trademark is used under
license from Honeywell International Inc.

Honeywell International Inc. makes no representation
or warranties with respect to this product.

Honeywell