

# Pre-Wired Automatic Transfer Switch with Built-In Load Center

85 Amps, 240 VAC, NEMA 1

Model Number:  
RXG16EZA1H

## Description

The Honeywell Pre-Wired Switch is designed to operate with 8-17kW air-cooled generators. This transfer switch has an integrated load center for picking up the emergency circuits. It is especially useful where the main service is large and only a portion of the building load will be served by the generator. It is available with a built-in 16-space load center to supply only those circuits that are essential during an emergency. The pre-wired switch is CUL Listed and suitable for use in optional standby systems (NEC702).

The Honeywell Pre-Wired Switch is housed in a steel NEMA 1 enclosure, with electrostatically applied and baked powder paint. The Heavy Duty Generac® Contactor is a UL recognized device, designed for years of service. The controller at the generator handles all the timing, sensing, and exercising functions. Multi listed for use with 1" standard, tandem, GFCI and AFCI breakers from Siemens, Murray, Eaton, and Square D for the most flexible and cost effective install.

Contactor Rating The transfer switch contactor is rated at 240 VAC and is available in a single phase configuration only.

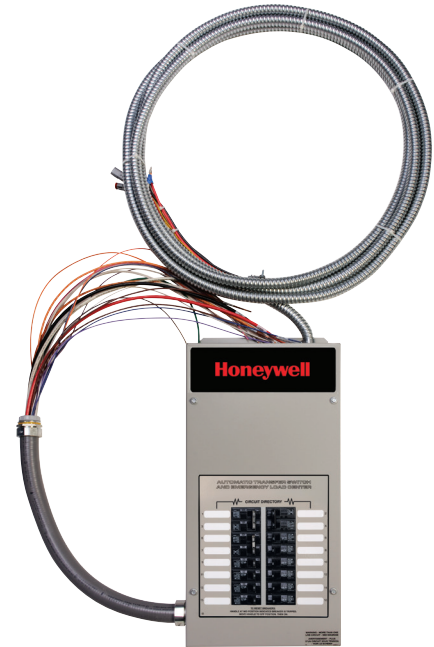


Image used for illustrative purposes only



## FEATURES & BENEFITS

- Electrically operated, mechanically-held contacts for fast, positive connections
- Rated for all classes of load, 100% equipment rated, both inductive and resistive
- 2-pole, 240 VAC contactor
- 30 millisecond transfer time
- Dual coil design
- Main contacts are silver plated or silver alloy to resist welding and sticking
- NEMA 1 (indoor rated) enclosure is standard
- 5 year premium limited warranty

# Pre-Wired Automatic Transfer Switch Technical Specifications

## FUNCTIONS

All timing and sensing functions originate in the generator controller.

**Utility voltage drop-out:** <60%

**Timer to generator start:** 10 second factory set, adjustable between 2-1,500 seconds by a qualified dealer\*

**Engine warm up delay:** 5 seconds

**Standby voltage sensor:** 60% for 5 seconds

**Utility voltage pick up:** >80%

**Re-transfer time delay:** 15 seconds

**Engine cool-down timer:** 60 seconds\*

**Exerciser (Sync™):** 12 minutes weekly

**Exerciser (Sync™ 2.0 and 3.0):** 5 to 12 minutes adjustable weekly/bi-weekly/monthly

**The transfer switch can be operated manually without power applied.**

\* When used in conjunction with units utilizing Sync 2.0™ controls.

## SPECIFICATIONS

<b>RXG16EZA1H</b>	
AMPS	85
VOLTAGE	120/240, 1Ø
CIRCUITS (50A, 240V)	1
(40A, 240V)	1
(30A, 240V)	-
(20A, 240V)	1
(20A, 120V)	5
(15A, 120V)	5
PHASE	1
RATED AC FREQUENCY	60 Hz
ENCLOSURE MATERIAL	Steel
ENCLOSURE TYPE	NEMA 3R
WITHSTAND RATING (AMPS)	10,000
LUG RANGE	1/0 - #14
LOAD TRANSITION TYPE	Open
UL RATING	UL/CUL
30' WHIP CONDUCTOR GAUGES (HOT, NEUTRAL, GROUND, CONTROL)	6, 6, 8, 18
TANDEM BREAKER CAPABILITIES	8 Tandems

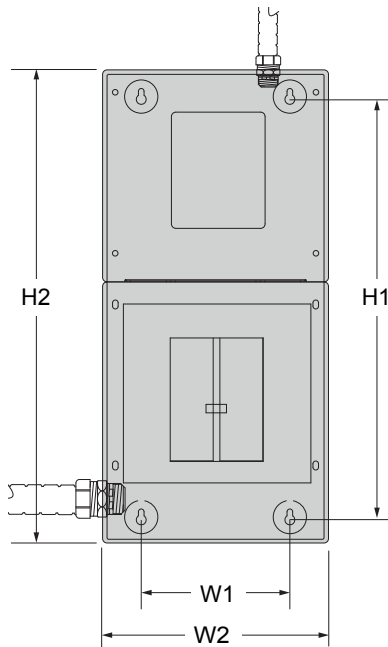
## DIMENSIONS

	HEIGHT		WIDTH		DEPTH
	H1	H2	W1	W2	
In.	23.5	26.4	8.3	12.6	6.3
mm	597.0	671.7	211.0	320.7	159.6

## WIRE RANGES

CONDUCTOR LUG	NEUTRAL LUG	GROUND LUG
2/0 - #14	2/0 - #14	2/0 - #14

All other trademarks are the property of their respective owners.



\* All measurements are approximate and for estimation purposes only. Specification characteristics may change without notice. Please contact a Honeywell Distributer for detailed installation drawings.

©2020 Generac Power Systems, Inc. All rights reserved. Specifications subject to change without notice.

## Generac Power Systems, Inc.

S45 W29290 Hwy 59  
Waukesha, WI. 53189  
1.855.GEN.INFO  
www.honeywellgenerators.com

The Honeywell trademark is used under license from Honeywell International Inc. Honeywell International Inc. makes no representation or warranties with respect to this product. This product is manufactured by Generac Power Systems, Inc., Waukesha, WI. 53189, USA.

10000014062 | Rev B | 08/2020

**Honeywell**