

# Honeywell Standby Generator

## 60 kW

### Liquid-Cooled Generator Set

#### Standby Power Rating

Model HG060 (Aluminum - Dark Gray)- 60 kW 60 Hz

#### Includes

- Two-Line LCD Multilingual Digital Sync 1.0™ Controller (English/Spanish/French/Portuguese) with external viewing window for easy indication of generator status and breaker position.
- Precision Power™ Electrical Technology
- Isochronous Electronic Governor
- Sound Attenuated Aluminum Enclosure
- Closed Coolant Recovery System
- Smart Battery Charger
- Flexible Fuel Line Connector
- UV/Ozone Resistant Hoses
- ±1% Voltage Regulation
- Natural Gas or LP Gas Operation
- Premium 5 Year Limited Warranty
- UL 2200 Listed



Meets EPA Emission Regulations  
not for sale in CA/MA

## FEATURES & BENEFITS

- **INNOVATIVE DESIGN & PROTOTYPE TESTING** are key components of our success in “IMPROVING POWER BY DESIGN.” But it doesn’t stop there. Total commitment to component testing, reliability testing, environmental testing, destruction and life testing, plus testing to applicable CSA, NEMA, EGSA, and other standards, allows you to choose Honeywell generators with the confidence that these systems will provide superior performance.
- **TEST CRITERIA**
  - PROTOTYPE TESTED
  - SYSTEM TORSIONAL TESTED
  - NEMA MG1-22 EVALUATION
  - MOTOR STARTING ABILITY
- **SOLID-STATE, FREQUENCY COMPENSATED VOLTAGE REGULATION**  
This state-of-the-art power maximizing regulation system is standard on all Honeywell models. It provides optimized FAST RESPONSE to changing load conditions and MAXIMUM MOTOR STARTING CAPABILITY by electronically torque-matching the surge loads to the engine. Digital voltage regulation at ±1%.
- **SINGLE SOURCE SERVICE RESPONSE** from our extensive dealer network provides parts and service know-how for the entire unit, from the engine to the smallest electronic component.
- **Honeywell TRANSFER SWITCHES**  
The Honeywell generator line includes its own transfer systems and controls for total system compatibility.

# 60 kW

# Application & Engineering Data

GENERATOR SPECIFICATIONS	
Type	Synchronous
Rotor Insulation Class	H
Stator Insulation Class	H
Telephone Interference Factor (TIF)	<50
Alternator Output Leads 3-Phase	4 wire
Bearings	Sealed Ball
Coupling	Flexible Disc
Excitation System	Direct

ENGINE SPECIFICATIONS	
Make	Generac
Model	In-line
Cylinders	4
Displacement (Liters)	2.4
Bore (in/mm)	3.41/86.5
Stroke (in/mm)	3.94/100
Compression Ratio	8.5:1
Intake Air System	Turbocharged/Aftercooled
Lifter Type	Hydraulic

GOVERNOR SPECIFICATIONS	
Type	Electronic
Frequency Regulation	Isochronous
Steady State Regulation	± 0.25%

VOLTAGE REGULATION	
Type	Electronic
Sensing	Single Phase
Regulation	± 1%

GENERATOR FEATURES	
Revolving field heavy duty generator	
Directly connected to the engine	
Operating temperature rise 120 °C above a 40 °C ambient	
Insulation is Class H rated at 150 °C rise	
All models fully prototyped tested	

ENGINE LUBRICATION SYSTEM	
Oil Pump Type	Gear
Oil Filter Type	Full flow spin-on cartridge
Crankcase Capacity (qt/l)	4/3.8

ENGINE COOLING SYSTEM	
Type	Closed
Water Pump	Belt driven
Fan Speed (rpm)	2100
Fan Diameter (in/mm)	22/558.8
Fan Mode	Puller

FUEL SYSTEM	
Fuel Type	Natural gas, propane vapor
Carburetor	Down Draft
Secondary Fuel Regulator	Standard
Fuel Shut Off Solenoid	Standard
Operating Fuel Pressure	5-14" water column/9-26 mm HG

ELECTRICAL SYSTEM	
Battery Charge Alternator	12 Volt 30 Amp
Static Battery Charger	2 Amp
Recommended Battery	Group 26, 525CCA
System Voltage (battery not included)	12 Volts

ENCLOSURE FEATURES	
Aluminum weather protective enclosure	Ensures protection against mother nature. Electrostatically applied textured epoxy paint for added durability.
Enclosed critical grade muffler	Quiet, critical grade muffler is mounted inside the unit to prevent injuries.
Small, compact, attractive	Makes for an easy, eye appealing installation.
SAE	Sound attenuated enclosure ensures quiet operation.

Rating definitions - Standby: Applicable for supplying emergency power for the duration of the utility power outage. No overload capability is available for this rating. (All ratings in accordance with BS5514, ISO3046 and DIN6271). (All ratings in accordance with BS5514, ISO3046, ISO8528, SAE J1349 and DIN6271).

# 60 kW

# Operating Data

## GENERATOR OUTPUT VOLTAGE/KW – 60 HZ

		KW LPG	AMP LPG	KW NATURAL GAS	AMP NATURAL GAS	CB SIZE (BOTH)
2,4L 4 cylinder inline engine	120/240 V, 1Ø, 1.0 pf	60	250			300
	120/208 V, 3Ø, 0.8 pf	60	208			250
	120/240 V, 3Ø, 0.8 pf	60	180			200
	277/480 V, 3Ø, 0.8 pf	60	90			100

## ENGINE FUEL CONSUMPTION (NATURAL GAS / PROPANE)

	NATURAL GAS		PROPANE
	(ft <sup>3</sup> / hr)	gal/ hr	ft <sup>3</sup> / hr
Exercise Cycle	123	1.34	49.3
25% of rated load	267	2.7	101
50% of rated load	483	5.0	183
75% of rated load	672	7.0	255
100% of rated load *	862	9.0	327

For BTU content, multiply ft<sup>3</sup>/hr x 2520 (LP) or ft<sup>3</sup>/hr x 1000 (NG)

## ENGINE COOLING

	UNITS	SPECIFICATION
Air flow (inlet air including alternator and combustion air)	cfm / cmm	3,280
System coolant capacity	gal / liters	2.5/9.5
Heat rejection to coolant	BTU per hr / MJ per hr	270,000
Maximum operation air temperature on radiator	°C / °F	60 (150)
Maximum ambient temperature	°C / °F	50 (140)

## COMBUSTION AIR REQUIREMENTS

Flow at rated power 60 Hz	cfm / cmm	180
---------------------------	-----------	-----

## SOUND EMISSIONS

Sound output at 23 ft (7 m) with generator in exercise mode*	dB (A)	65
Sound output at 23 ft (7 m) with generator operating at normal load*	dB (A)	72

\*Sound levels are taken from the front of the generator. Sound levels taken from other sides of the generator may be higher depending on installation parameters.

## EXHAUST

Exhaust flow at rated output	cfm / cmm	494
Exhaust temperature at muffler outlet	°C / °F	1,050

## ENGINE PARAMETERS

Rated Synchronous rpm	60 Hz	3600
-----------------------	-------	------

## POWER ADJUSTMENT FOR AMBIENT CONDITIONS

Temperature Deration	3% for every 10 °C above - °C	25
	1.65% for every 10 °F above - °F	77
Altitude Deration	1% for every 100 m above—m	915
	3% for every 1000 ft. above—ft.	3000

Refer to "Emissions Data Sheets" for maximum fuel flow for EPA and SCAQMD permitting purposes.

**RATING:** All three phase units are rated at 0.8 power factor. All single phase units are rated at 1.0 power factor. **STANDBY RATING:** Standby ratings apply to installations served by a reliable utility source. The standby rating is applicable to varying loads for the duration of a power outage. There is no overload capability for this rating. Ratings are in accordance with ISO-3046-1. Design and specifications are subject to change without notice.

**CONTROLLER FEATURES**

Two-Line Plain Text LCD Display .....	Simple user interface for ease of operation
Mode Switch: Auto .....	Automatic Start on Utility failure. 7 day exerciser
Off .....	Stops unit. Power is removed. Control and charger still operate.
Manual.....	Start with starter control, unit stays on. If utility fails, transfer to load takes place.
Programmable start delay between 10-30 seconds .....	Standard
Engine Start Sequence .....	Cyclic cranking: 16 sec on, 7 rest (90 sec maximum duration)
Engine Warm-up.....	5 sec
Engine Cool-Down.....	1 min
Starter Lock-out.....	Starter cannot re-engage until 5 sec after engine has stopped.
Smart Battery Charger .....	Standard
Automatic Voltage Regulation with Over and Under Voltage Protection.....	Standard
Automatic Low Oil Pressure Shutdown.....	Standard
Overspeed Shutdown.....	Standard, 72 Hz
High Temperature Shutdown.....	Standard
Overcrank Protection.....	Standard
Safety Fused .....	Standard
Failure to Transfer Protection .....	Standard
Low Battery Protection.....	Standard
50 Event Run Log.....	Standard
Future Set Capable Exerciser.....	Standard
Incorrect Wiring Protection.....	Standard
Internal Fault Protection.....	Standard
Common External Fault Capability.....	Standard
Governor Failure Protection .....	Standard

Single and three-phase connections may vary. Refer to the owner's manual for specific connection information.

# 60 kW

## Available Accessories

MODEL #	PRODUCT	DESCRIPTION
G005630-1	Cold Weather Kit	If the temperature regularly falls below 32 °F (0 °C), install a cold weather kit to maintain optimal battery temperature. Kit consists of battery warmer with thermostat built into the wrap.
G005616-0	Extreme Cold Weather Kit	Recommended where the temperature regularly falls below 32 °F (0 °C) for extended periods of time. For liquid cooled units only.
G005651-0	Base Plug Kit	Add base plugs to the base of the generator to keep out debris.
G006160-0	Paint Kit	If the generator enclosure is scratched or damaged, it is important to touch-up the paint to protect from future corrosion. The paint kit includes the necessary paint to properly maintain or touch-up a generator enclosure.
G005984-0	Scheduled Maintenance Kit	The Liquid-Cooled Scheduled Maintenance Kits offer all the hardware necessary to perform complete maintenance on Generac liquid-cooled generators.
G006664-0	Wireless Remote	Completely wireless and battery powered, Generac's wireless remote monitor provides you with instant status information without ever leaving the house.
G006665-0	Wireless Remote Extension Harness	Recommended for use with the Wireless Remote on units up to 60 kW, required for use on units 70 kW or greater.
G006874-0	Smart Management Module (50 Amps)	Smart Management Modules are used in conjunction with the Automatic Transfer Switch to increase its power management capabilities. It provides additional power management flexibility not found in any other power management system.
G006510-0	E-Stop	E-stop allows for immediate fuel shutoff and generator shutdown in the event of an emergency.
G007005-0	Wi-Fi LP Fuel Level Monitor	The Wi-Fi enabled LP fuel level monitor provides constant monitoring of the connected LP fuel tank. Monitoring the LP tank's fuel level is an important step in making sure your generator is ready to run during an unexpected power failure. Status alerts are available through a free application to notify when your LP tank is in need of a refill.
G006463-4	Mobile Link™	Mobile Link allows you to check the status of your generator from anywhere that you have access to an Internet connection from a PC or with any smart device. You will even be notified when a change in the generator's status occurs via e-mail or text message. Note: Harness Adapter Kit required. Available in the U.S. only.
G006478-0	Harness Adapter Kit	The Harness Adapter Kit is required to make liquid-cooled units compatible with Mobile Link™.

# 60 kW

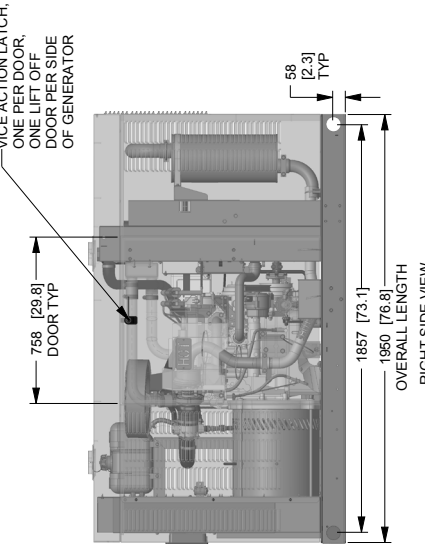
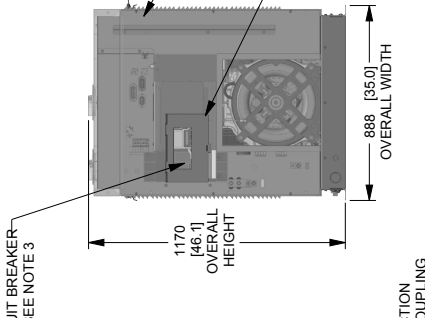
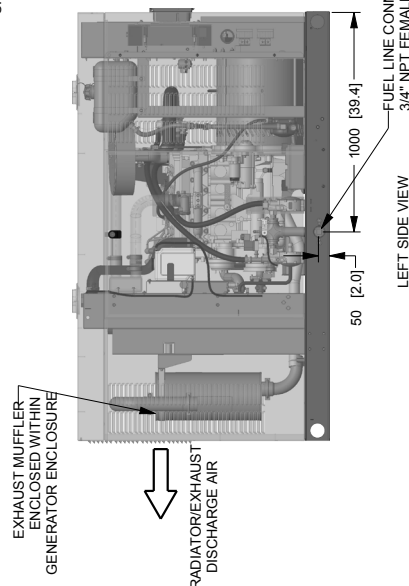
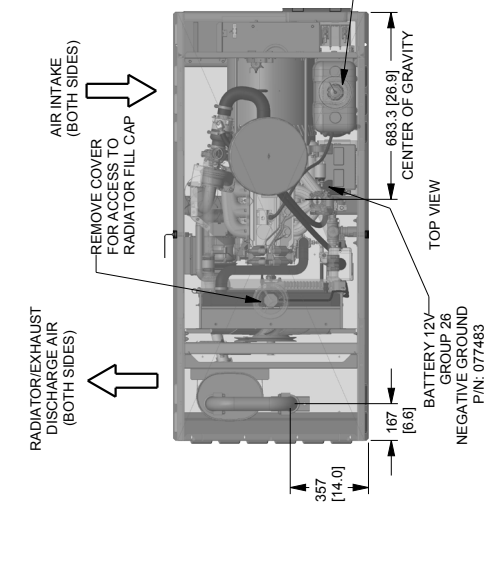
Drawing #0L2090-B (1 of 2)

# Installation Layout

- NOTES:**
- MINIMUM RECOMMENDED CONCRETE PAD SIZE: 1194MM (47") WIDE X 2256MM (88.8") LONG. REFERENCE INSTALLATION GUIDE SUPPLIED WITH UNIT FOR CONCRETE PAD GUIDELINES.
  - ALLOW SUFFICIENT ROOM ON ALL SIDES OF THE GENERATOR FOR MAINTENANCE AND SERVICING. THIS UNIT MUST BE INSTALLED IN ACCORDANCE WITH CURRENT APPLICABLE NFPA 37 AND NFPA 70 STANDARDS AS WELL AS ANY OTHER FEDERAL, STATE, AND LOCAL CODES.
  - CONTROL PANEL / CIRCUIT BREAKER INFORMATION:
    - SEE SPECIFICATION SHEET OR OWNERS MANUAL
    - ACCESSIBLE THROUGH CUSTOMER ACCESS ASSEMBLY DOOR ON REAR OF GENERATOR.
  - REMOVE THE REAR ENCLOSURE COVER PANEL TO ACCESS THE STUB-UP AREAS AS FOLLOWS:
    - HIGH VOLTAGE CONNECTION INCLUDING AC LOAD LEAD CONDUIT CONNECTION NEUTRAL CONNECTION, BATTERY CHARGER 120 VOLT AC (0.5 AMP MAX) CONNECTION.
    - LOW VOLTAGE CONNECTION INCLUDING TRANSFER SWITCH CONTROL WIRES.
    - CENTER OF GRAVITY AND WEIGHT MAY CHANGE DUE TO UNIT OPTIONS.
  - BOTTOM OF GENERATOR SET MUST BE ENCLOSED TO PREVENT PEST INTRUSION AND RECIRCULATION OF DISCHARGE AIR AND/OR IMPROPER COOLING AIR FLOW.
  - REFERENCE OWNERS MANUAL FOR LIFTING WARNINGS.
  - MOUNTING BOLTS OR STUDS TO MOUNTING SURFACE SHALL BE 5/8-11 GRADE 5 (USE STANDARD SAE TORQUE SPECS)
  - MUST ALLOW FREE FLOW OF INTAKE AIR, DISCHARGE AIR AND EXHAUST. SEE SPEC SHEET FOR MINIMUM AIR FLOW AND MAXIMUM RESTRICTION REQUIREMENTS
  - GENERATOR MUST BE INSTALLED SUCH THAT FRESH COOLING AIR IS AVAILABLE AND THAT DISCHARGE AIR FROM RADIATOR IS NOT RECIRCULATED.
  - EXHAUST MUFFLER AND FAN BELT ENCLOSED WITHIN GENERATOR ENCLOSURE. REMOVE FRONT PANEL TO ACCESS.

SERVICE ITEM	2.4L
OIL FILL CAP	EITHER SIDE
OIL DIP STICK	RIGHT SIDE
OIL FILTER	LEFT SIDE
OIL DRAIN HOSE	RIGHT SIDE
RADIATOR DRAIN HOSE	LEFT SIDE
COOLANT RECOVERY BOTTLE	LEFT SIDE
RADIATOR FILL CAP	ROOF TOP
AIR CLEANER ELEMENT	LEFT SIDE
SPARK PLUGS	LEFT SIDE
MUFFLER	SEE NOTE 11
DRIVE BELT	EITHER SIDE
FAN BELT	SEE NOTE 11
BATTERY	LEFT SIDE
LUBE OIL MAINTAINER SUPPLY TANK FILL CAP	ROOF TOP

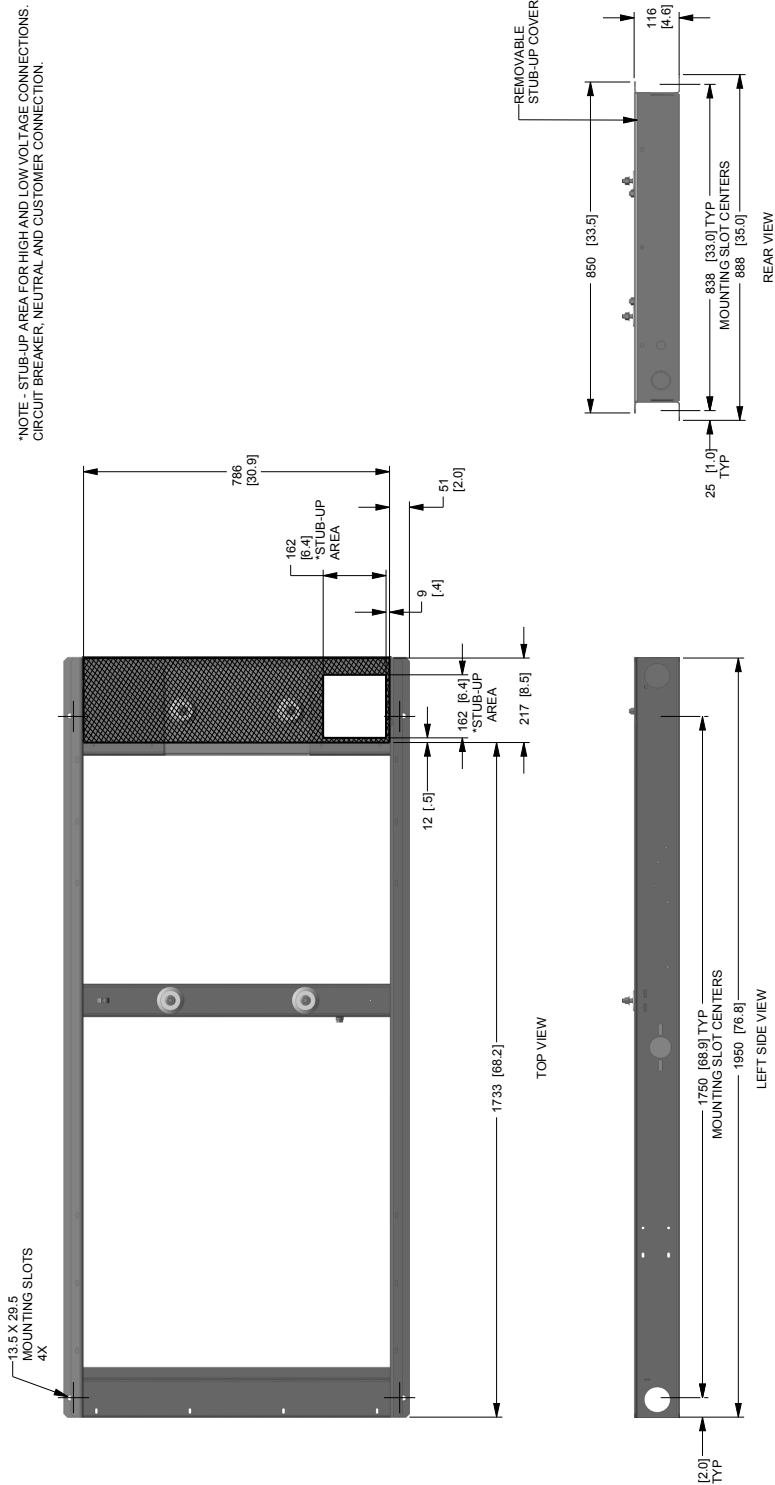
REMOVE COVER FOR ACCESS TO LUBE OIL MAINTAINER SUPPLY TANK. REFERENCE OWNERS MANUAL FOR PERIODIC REPLACEMENT PART LISTINGS.



**WEIGHT DATA**

ENGINE/KW	ENCLOSURE MATERIAL	WEIGHT GENSET ONLY KG (LBS)	WEIGHT SHIPPING SKID KG (LBS)	SHIPPING WEIGHT KG (LBS)
2.4L 60KW	ST	582 [1283]	44 [98]	626 [1381]
2.4L 60KW	AL	558 [1230]	44 [98]	602 [1328]

DIMENSIONS: MM [INCH]



For more information  
[www.honeywellaidc.com](http://www.honeywellaidc.com)

**Generac Power Systems, Inc.**  
 S45 W29290 Hwy. 59  
 Waukesha, WI. 53189  
 1.855.GEN.INFO  
[www.honeywellgenerators.com](http://www.honeywellgenerators.com)  
 Part No. 0191010SBY

©Generac Power Systems, Inc. All rights reserved.  
 Specifications subject to change without notice.

The Honeywell trademark is used under license from Honeywell International Inc.  
 Honeywell International Inc. makes no representation or warranties with respect to this product.  
 This product is manufactured by Generac Power Systems, Inc., Waukesha, WI. 53187, USA.

Revision J (01/09/18)

