

Smart Management Module (SMM)

50 Amps, 240 VAC, Single Phase

Model Number:
G007001-0

Description

Smart Power Management System: Designed to optimize the performance of a standby generator. The system can consist of up to eight individual Smart Management Modules (SMMs). Unlike other load management systems that depend on another control device, the SMM modules are self-aware and operate autonomously.

Frequency Monitoring: Frequency is the true measure of generator engine performance, and does not need to factor in increased ambient temperatures, elevation changes, or generator fuel type. The modules monitor the frequency (Hz) of the power produced by Honeywell standby generators. If frequency falls below a certain threshold, the module will automatically follow a power management algorithm to reduce the chance of a generator overload condition.

Load Priority Setting: Modules can be set to a load priority between 1–8, or set in a lock-out mode for loads that just simply do not need to run in an outage. This reduces the minimum size of the generator for a more cost-effective solution.



Image used for illustrative purposes only



*Assembled in the USA using domestic and foreign parts

FEATURES & BENEFITS

- 240 VAC power supply source (from line input)
- 220/240 VAC contact voltages
- 240 VAC contactor coil voltage
- 30 VA coil inrush
- 30 VA coil sealed
- 2 poles
- 50 resistive amps
- 40 F/L inductive amps
- 180 locked rotor amps
- 3R NEMA rating
- UL50 enclosure rating
- 50 Hz/60 Hz frequency selectability

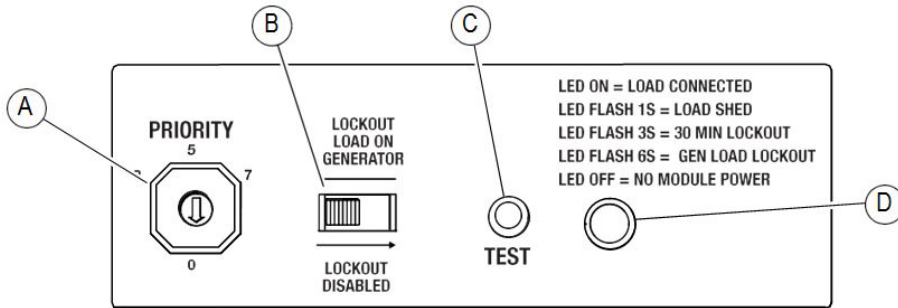
Smart Management Module (SMM) Technical Specifications

SPECIFICATIONS

G007001-0	
UPC NUMBER	696471070019
UNIT WEIGHT - LBS (KG)	2.4 (1.1)

All other trademarks are the property of their respective owners.

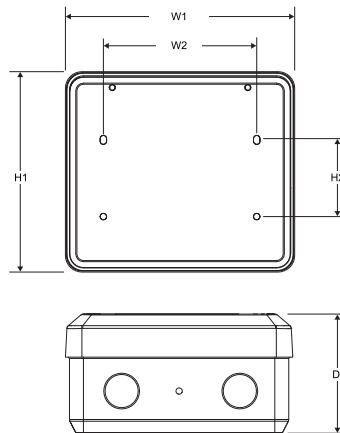
CONTROLS



CONTROL	DESCRIPTION
PRIORITY DIAL (A)	Sets module priority.
LOCKOUT SWITCH (B)	Prevents load from operating when system is operating under generator power.
TEST BUTTON (C)	Disables contactor output for a specified time.
LED (D)	Provides module status with easy viewing through the external viewing window located in the upper right corner of the module.

DIMENSIONS

G007001-0					
	HEIGHT		WIDTH		DEPTH
	H1	H2	W1	W2	D1
In.	6.2	2.4	7.1	4.7	3.7
mm	156.8	60.0	179.4	120.0	94.0



* All measurements are approximate and for estimation purposes only. Specification characteristics may change without notice. Please contact a Honeywell Distributer for detailed installation drawings.

©2020 Generac Power Systems, Inc. All rights reserved. Specifications subject to change without notice.

Generac Power Systems, Inc.

S45 W29290 Hwy 59
Waukesha, WI. 53189
1.855.GEN.INFO
www.honeywellgenerators.com

The Honeywell trademark is used under license from Honeywell International Inc. Honeywell International Inc. makes no representation or warranties with respect to this product. This product is manufactured by Generac Power Systems, Inc., Waukesha, WI. 53189, USA.

10000029428 | Rev D | 10/2020

Honeywell